

Technical specifications: **TM13/ TM15/ TM16**



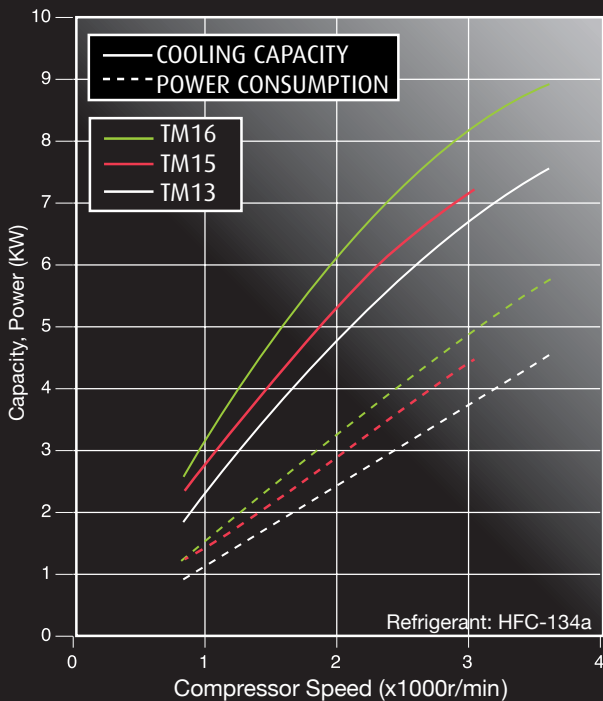
Adaptable Heavy Duty compressors
 -High reliability
 -Especially suitable for truck and refrigeration applications
 -Very wide product range



www.valeocompressors.com

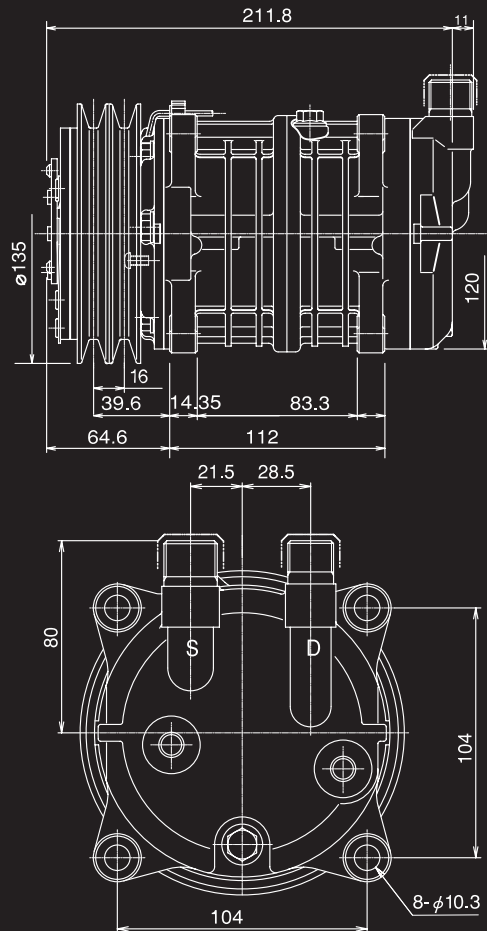
MODEL	TM13	TM15*	TM16
DISPLACEMENT	131cm ³ /rev.	147cm ³ /rev.	163cm ³ /rev.
NUMBER OF CYLINDERS	6	6	6
RANGE	700-6000	700-6000	700-6000
REFRIGERANT	HFC-134a	HFC-134a	HFC-134a
OIL	ZXL 100PG 150cm ³	ZXL 100PG 150cm ³	ZXL 100PG 180cm ³
WEIGHT	6.3Kg (with clutch)	6.5Kg (with clutch)	7.1Kg (with clutch)
MOUNT	Ear or Direct	Ear or Direct	Ear or Direct

PERFORMANCE CURVES: TM13, TM15, TM16



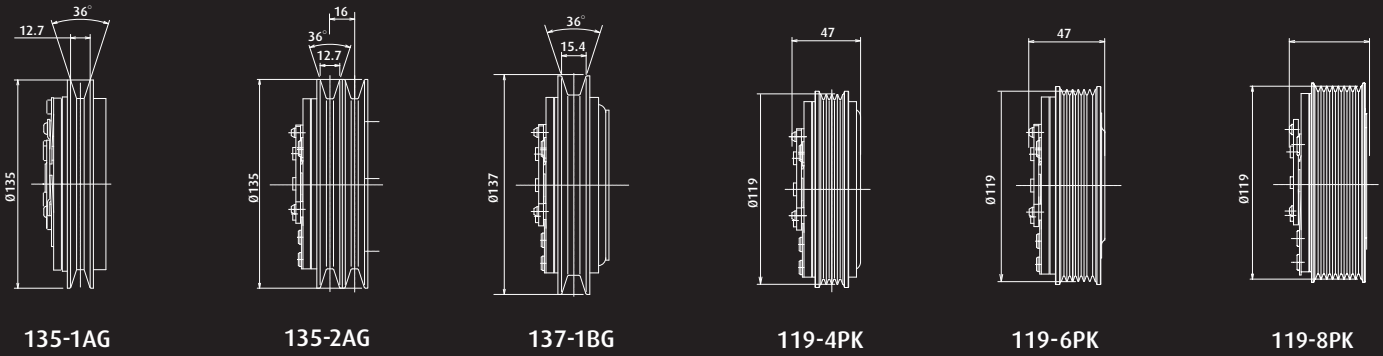
TEST CONDITIONS

Discharge pressure: 1.52MPa (gage)
 Suction pressure : 0.18MPa (gage)
 Sub cool :5°C Super heat : 10°C



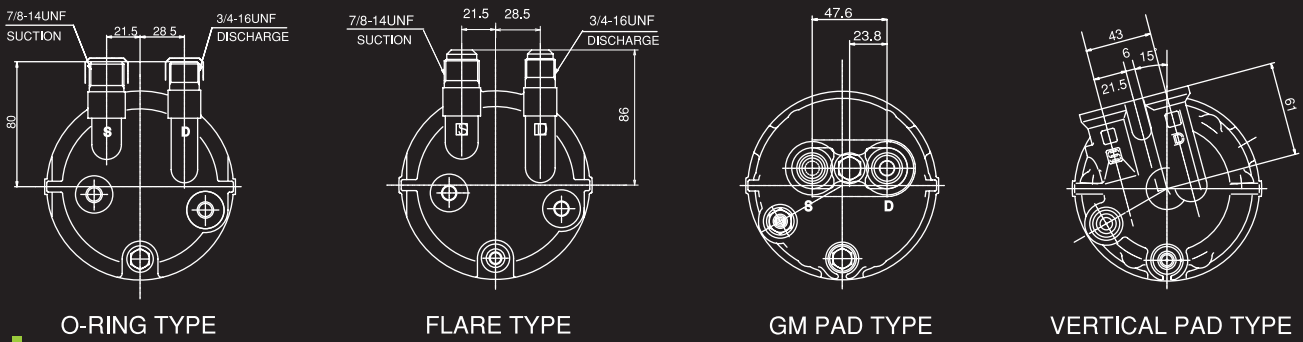
*TM14 available on some markets is equivalent to TM15 (same fittings, size, options and performances)

MAGNETIC CLUTCH VARIATIONS

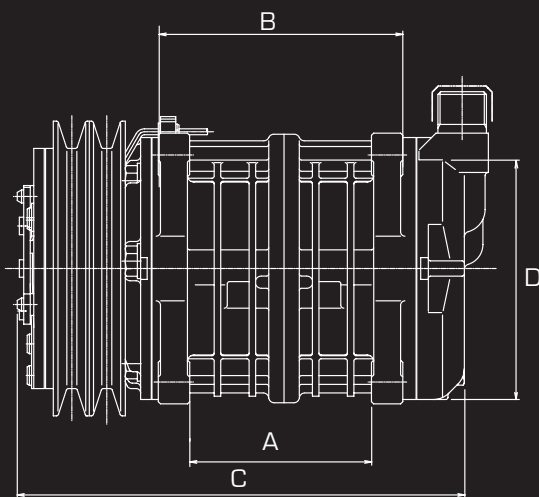


Also available : 10 and 12 groove magnetic clutches

CYLINDER HEAD VARIATIONS



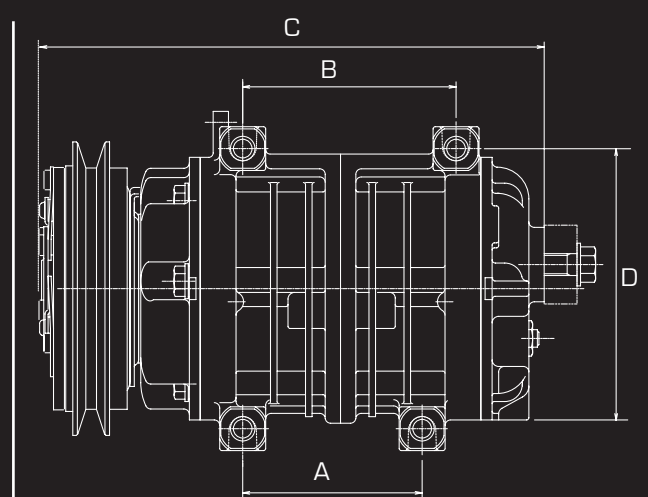
EAR



	A	B**	C	D	Oil capacity
TM-13A	83.3mm	112mm	187mm	104mm	150cc
TM-13Ashort	73.3mm	98mm	196.7mm	104mm	150cc
TM-15A	83.3mm	112mm	204.8mm	104mm	150cc
TM-16A	83.3mm	112mm	211.8mm	104mm	180cc

** may vary with options

DIRECT



	A	B	C	D
TM-13A (DM)	82mm	82mm	203.7mm	138mm
TM-15A (DM)	78mm	90mm	204.8mm	128mm
TM-16A (DM)S	87mm	92mm	219mm	128mm